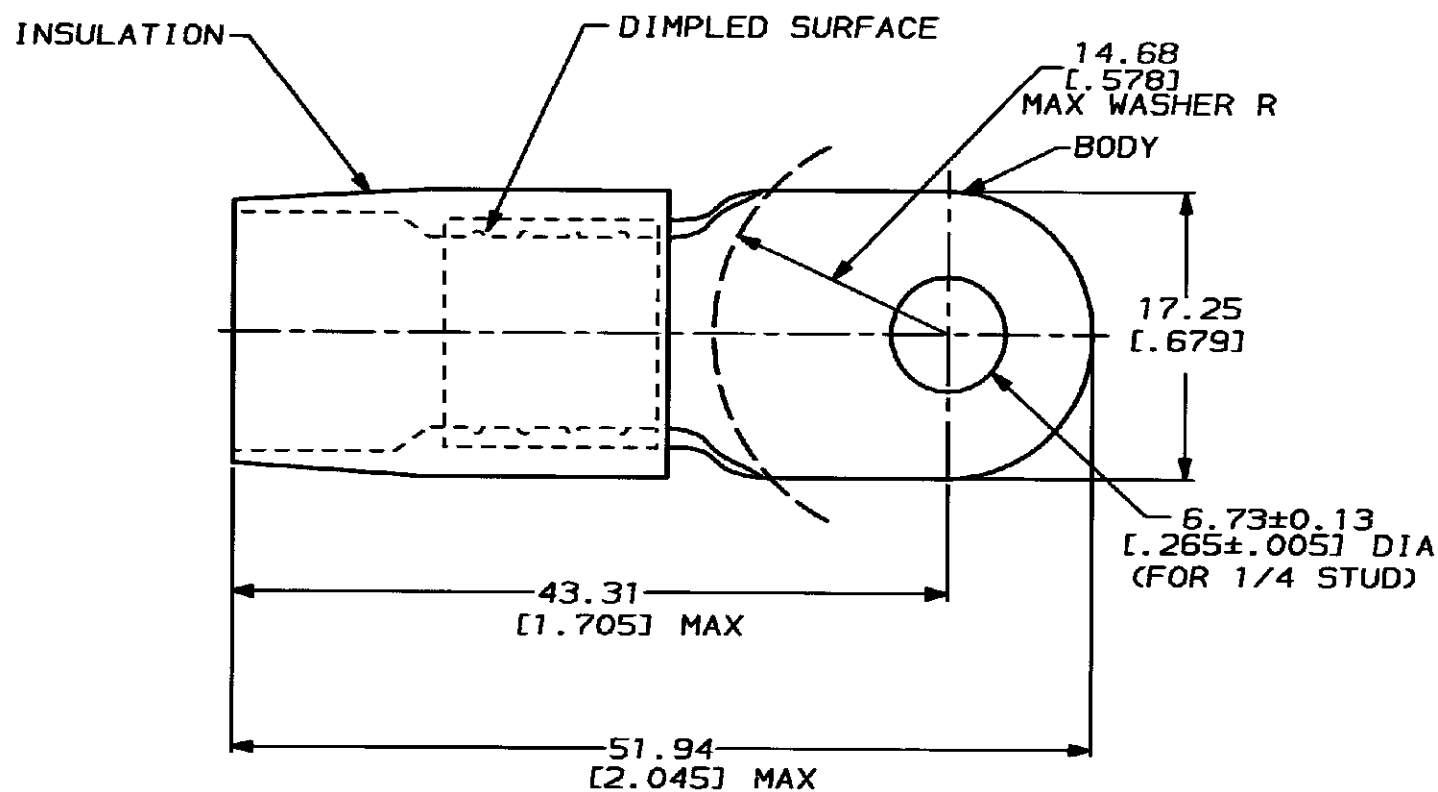


AMP
 WIRE RANGE
 2 AWG
 STRANDED

METRIC
 DIMENSIONS LISTED IN mm [INCHES]



1. TONGUE MATERIAL THK 1.45±0.08 [.057±.003]
 FOR 11.89 [.468] MAX WIRE INS DIA

AMP INCORPORATED CUSTOMER SERVICE SYSTEMS		MAX RECOMMENDED OPERATING TEMPERATURE: 105°C	MS25036-126 CLASS 2	-	LOOSE PC	324053
FOR ADDITIONAL PRODUCT INFORMATION OR COPIES OF DRAWINGS AND TECHNICAL DOCUMENTS	PRODUCT INFORMATION CENTER 1-800-522-6752	VOLTAGE RATING: -	MILITARY P/N AND CLASS	QTY	PACKAGE TYPE	PART NO
FOR APPLICATION TOOLING INFORMATION	TOOLING ASSISTANCE CENTER 1-800-722-1111	CIRCULAR MIL AREA: 26.7-42.4mm² [52,600-83,700] STRANDED	DO NOT SCALE PRINT. UNLESS SPECIFIED DIMENSIONS IN MILLIMETERS TOLERANCES ON: 2 PLC DEC ± 0.20(.008) 3 PLC DEC ± - ANGLES ± -	DR 6-21-93 S.S. GOULDEN CHK 6-21-93 R. HERSEY APPD 6-21-93 B. BARE APPD 6-21-93 H. ELLIS	AMP AMP Incorporated Harrisburg, PA 17105-3608	
FOR ORDER ENTRY	1-800-526-5142	THIS DRAWING IS A CONTROLLED DOCUMENT FOR AMP INCORPORATED. IT IS SUBJECT TO CHANGE AND THE CONTROLLING ENGINEERING ORGANIZATION SHOULD BE CONTACTED FOR THE LATEST REVISION.	MATERIAL COPPER PER ASTM B-152 NYLON (MIL-M-20693) TYPE 1 COLOR: RED	PRODUCT SPEC -	NAME TERMINAL, RING TONGUE, TERMINYL WIRE SIZE: 2 AWG	
			FINISH TIN PLATE PER MIL-T-10727	APPLICATION SPEC -	SIZE B	CAGE CODE 00779
				WEIGHT -	SCALE NTS	DRAWING NO C-324053
						SHEET 1 OF 1